

ATID ATA900R1+BEN



About ATA900R1+BEN RFID UHF Antenna

ATID's ATA900R1+BEN linear polarized antenna offers high gain and covers the frequency band of 840MHz~868MHz. The antenna is uniquely designed with a high protection level, excellent RF performance and easy installation. The ATA900R1+BEN antenna is ideal for intelligent transportation systems, road/bridge/port vehicle management, digital warehouse management and logistics applications.

Application

- Vehicle management
- Warehouse management
- Logistics

Features

- Applied on UHF RFID and adopts CE
- High gain and linear polarization
- IP rating: IP65
- Durable and graceful design



Product Specifications

Performance Parameters

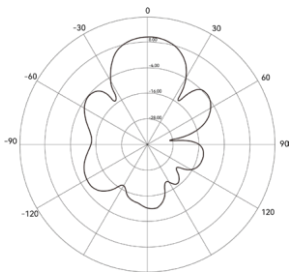
Operating Frequency	840MHz~868MHz
VSWR	≤1.3:1
Gain	11dBi
H-Plane HPBW	84°
E-Plane HPBW	27°
Polarization	Linear
Impedance	50Ω
Connector	Type N

Environment

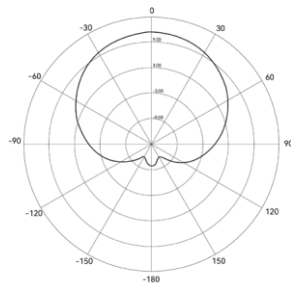
Operating Temperature	-40°C to +85°C
Storage Temperature	-40°C to +85°C
Humidity Range	≤95%RH

Physical Parameters

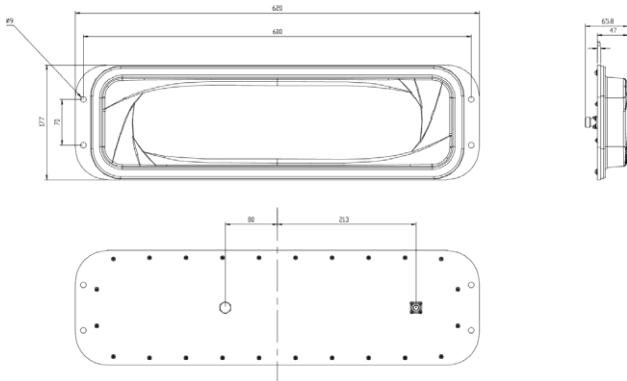
Length	620 mm (24.41in)
Width	177 mm (6.97in)
Thickness excluding connector	47 mm (1.85in)
Thickness including connector	65.8 mm (2.41 in)
Weight	2.4kg
Radome material	Modified ASA
IP rating	IP65
Installation	Bracket or Bolt



E-Plane HPBW



H-Plane HPBW



ATA900R1+BEN Antenna Technology Specification

All Features and specifications described are subject to change without notice.