

ATID ATA812-D



About ATA812-D RFID UHF Antenna

ATID's ATA812-D circular polarization antenna's working frequency range covers the 902MHz ~ 928MHz frequency band. The antenna has a careful design, good protection, excellent RF performance, and a beautiful appearance. It is suitable for smart retail, digital warehouse management, logistics management, and other fields.

Application

- Smart retail
- Digital warehouse management
- Logistics management

Features

- Circular polarization
- High gain, high protection
- Beautiful appearance and light weight



Product Specifications

Performance Parameters

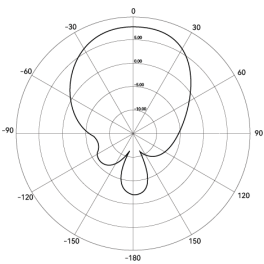
Operating Frequency	902MHz~928MHz
VSWR	≤1.3:1
Gain	9dBi
H-Plane HPBW	60°
E-Plane HPBW	60°
Polarization	Circular polarization
Impedance	50Ω
Connector	SMA type
IP rating	IP65

Environment

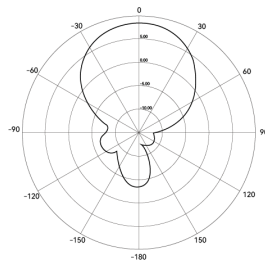
Operating Temperature	-40°C to +85°C
Storage Temperature	-40°C to +85°C
Humidity Range	≤95%RH

Physical Parameters

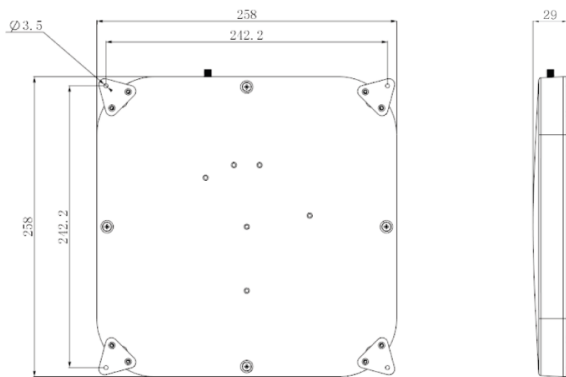
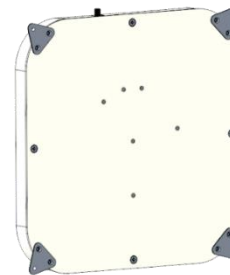
Length	258mm (10.15in)
Width	258mm (10.15in)
Thickness excluding	29mm (1.14in)
Weight	0.73kg
Radome material	ABS+PC
Installation	Bracket



E-Plane HPBW



H-Plane HPBW



ATA812-D Type antenna appearance dimension drawing

All Features and specifications described are subject to change without notice.