

# ATID ATA812-BEN-C



## About ATA812-BEN-C RFID UHF Antenna

---

ATID's ATA812-BEN-C circular polarization antenna's working frequency range covers the 865MHz ~ 868MHz frequency band. The antenna has a careful design, good protection, excellent RF performance, and a beautiful appearance. It is suitable for smart retail, digital warehouse management, logistics management, and other fields.

### Application

- Smart retail
- Digital warehouse management
- Logistics management

### Features

- Circular polarization
- High gain, high protection
- Beautiful appearance and light weight



# Product Specifications

## Performance Parameters

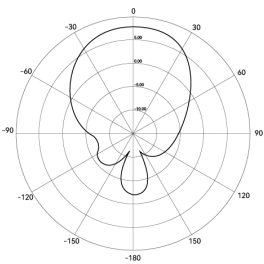
<b>Operating Frequency</b>	865MHz~868MHz
<b>VSWR</b>	≤1.3:1
<b>Gain</b>	9dBi
<b>H-Plane HPBW</b>	60°
<b>E-Plane HPBW</b>	60°
<b>Polarization</b>	Circular polarization
<b>Impedance</b>	50Ω
<b>Connector</b>	N type
<b>IP rating</b>	IP65

## Environment

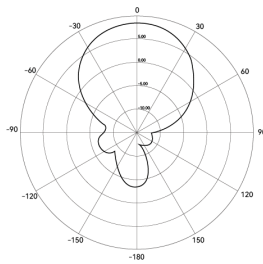
<b>Operating Temperature</b>	-40°C to +85°C
<b>Storage Temperature</b>	-40°C to +85°C
<b>Humidity Range</b>	≤95%RH

## Physical Parameters

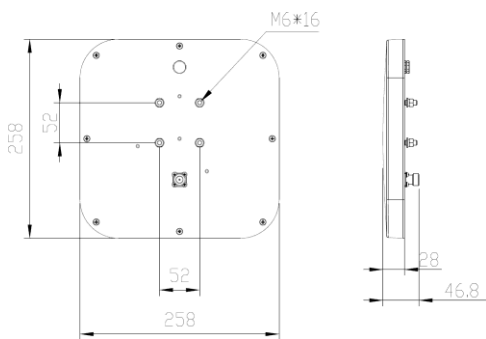
<b>Length</b>	258mm (10.15in)
<b>Width</b>	258mm (10.15in)
<b>Thickness excluding</b>	29mm (1.14in)
<b>Weight</b>	0.73kg
<b>Radome material</b>	ABS+PC
<b>Installation</b>	Bracket



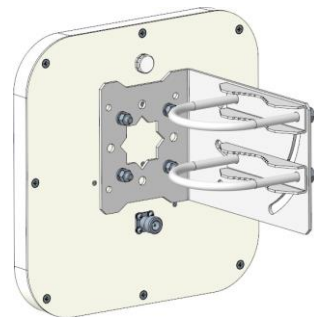
E-Plane HPBW



H-Plane HPBW



ATA812-BEN-C Type antenna appearance dimension drawing



All Features and specifications described are subject to change without notice.