

# ATID-XC-AF900R1+BEN



## About ATID-XC-AF900R1+BEN Antenna

ATID-XC-AF900R1+BEN linear polarized antenna offers high gain and covers the frequency band of 840MHz~868MHz. The antenna is uniquely designed with a high protection level, excellent RF performance and easy installation. The ATID-XC-AF900R1+BEN antenna is ideal for intelligent transportation systems, road/bridge/port vehicle management, digital warehouse management and logistics applications.

### Application

- Vehicle management
- Warehouse management
- Logistics

### Features

- Applied on UHF RFID and adopts CN&FCC
- High gain and linear polarization
- IP rating: IP65
- Durable and graceful design



# Product Specifications

## Performance Parameters

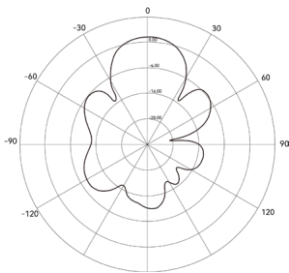
<b>Operating Frequency</b>	840MHz~868MHz
<b>VSWR</b>	≤1.3:1
<b>Gain</b>	11dBi
<b>H-Plane HPBW</b>	84°
<b>E-Plane HPBW</b>	27°
<b>Polarization</b>	Linear
<b>Impedance</b>	50Ω
<b>Connector</b>	Type N

## Environment

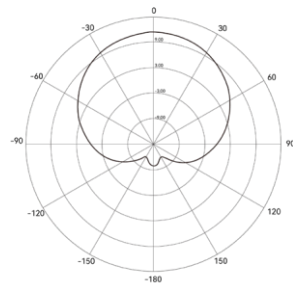
<b>Operating Temperature</b>	-40°C to +85°C
<b>Storage Temperature</b>	-40°C to +85°C
<b>Humidity Range</b>	≤95%RH

## Physical Parameters

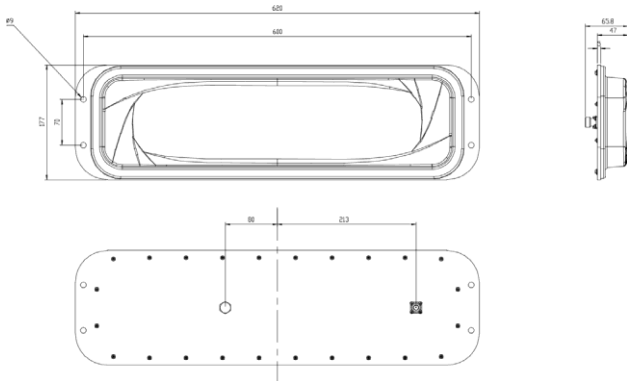
<b>Length</b>	620 mm (24.41in)
<b>Width</b>	177 mm (6.97in)
<b>Thickness excluding connector</b>	47 mm (1.85in)
<b>Thickness including connector</b>	65.8 mm (2.41 in)
<b>Weight</b>	2.4kg
<b>Radome material</b>	Modified ASA
<b>IP rating</b>	IP65
<b>Installation</b>	Bracket or Bolt



E-Plane HPBW



H-Plane HPBW



ATID-XC-AF900R1+BEN Antenna Technology Specification

All Features and specifications described are subject to change without notice.